

MULTIPANEL



WHERE CAN MULTIPANEL BE USED?

MULTIPANEL PROVIDES SUPERIOR, COST EFFICIENT APPLICATIONS ACROSS MANY INDUSTRIES INCLUDING BUILDING AND CONSTRUCTION, MARINE, LANDSCAPING, CARAVANS, SIGNAGE, TRANSPORT, REFRIGERATION, AND MANY MORE.

THE COMPANY

MULTIPANEL Pty Ltd is an Australian owned and operated company, established in 2000, we are passionate about the waterproofing industry

We are committed to innovation and excellence by thinking differently, embracing change and continuing to push the boundaries.

THE PRODUCT

MULTIPANEL is manufactured from a technologically advanced high density, polyurethane composite material, with a unique closed cell structure, making it 100% waterproof. It is a product that can be used across a diverse range of industries.

MULTIPANEL is simple to install with standard woodworking tools. MULTIPANEL also has excellent insulation and acoustic properties. All of these benefits combine to open up limitless design applications for both interior and exterior projects.

BENEFITS

100% WATERPROOF

NO MEMBRANE REQUIRED

Other panels are water resistant and rely on liquid membranes to become waterproof. With MULTIPANEL, you have peace of mind knowing that it is immune to water and will act as a complete barrier in all wet area situations.

SUPER LIGHTWEIGHT

MULTIPANEL is up to 80% lighter than traditional products. 30mm MULTIPANEL weighs only 18Kg per sheet (6.25Kg/m²)

LABOUR SAVING

As MULTIPANEL is so lightweight and can be used without a liquid membrane, MULTIPANEL systems can be installed up to 75% faster than traditional systems.

ECO FRIENDLY

MULTIPANEL is an eco-friendly and eco specified material. MULTIPANEL is a durable, lightweight and zero added VOC building panel made partially from plant based oils and high density polyurethane.

Panels can be a suitable replacement for timber based comparative products, conserving forests. With MULTIPANEL being so lightweight it saves in transport energy and allows for easy installation.

For more information, visit [EcoSpecifier](#).

THE MULTIPANEL WAY

REVOLUTIONIZING THE WATERPROOFING INDUSTRY

F + O + C + U = S

FRUSTRATIONS

- Scheduling your trades
- Critical project time lines
- Call backs = time/money
- Costs

OPPORTUNITIES

- Minimizing onsite trades
- Speeding up construction
- Complete waterproof solution
- Overall \$ saving on systems

CLARITY

- How we implement
- What are your true costs
- How to seamlessly transition
- What we offer ongoing

US

- Over 15 years in the market
- Australian owned and made
- Winner ACA Product Innovation
- Professional, solution driven

S
E
C
U
R
I
T
Y

5 EASY STEPS TO SUCCESS



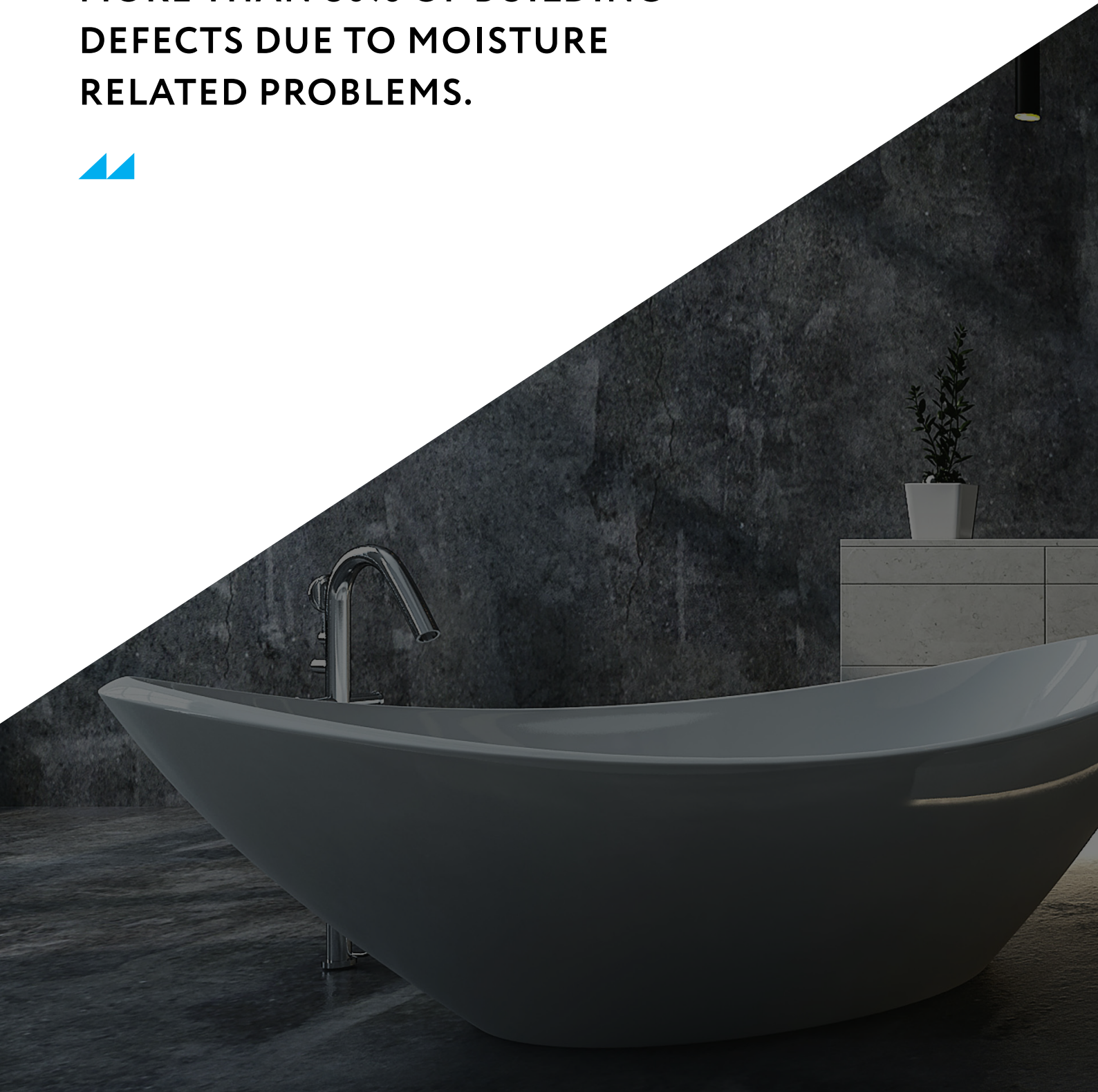
“The MULTIPANEL Way is our Philosophy, Prevention is our Purpose and Peace of Mind is our Promise”

Tony Russo, Director MULTIPANEL

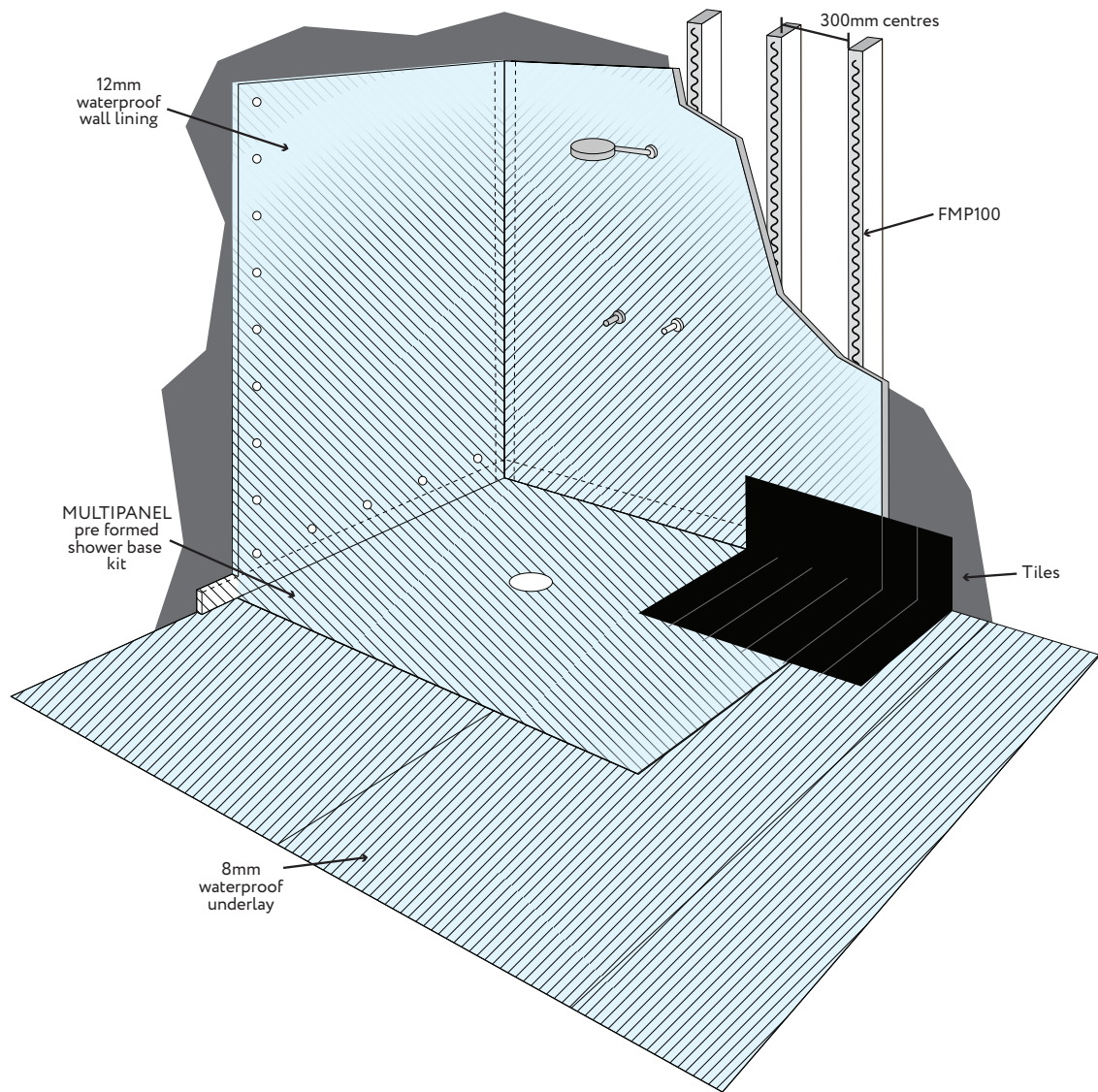
CONTENTS

04 - 05	Waterproof Internal Wet Area System
	Waterproof Pre Formed Shower Base Kits
	Waterproof Niches
06 - 07	Waterproof Balcony System
	Graded Panels
	Timber Deck/ Paver Pods
08 - 09	Waterproof Plinth Board
	Waterproof Planter Boxes
	Waterproof Curved Lining
	Waterproof Decorative Panel
10	Where Can MULTIPANEL Be Used?

WATERPROOFING ACCOUNTS FOR APPROXIMATELY 1.8% OF CONSTRUCTION COSTS, YET INDUSTRY GROUPS AND MANY BUILDING EXPERTS ATTRIBUTE MORE THAN 80% OF BUILDING DEFECTS DUE TO MOISTURE RELATED PROBLEMS.







ESSENTIALLY A
BATHROOM CAN BE
WATERPROOFED IN
3-4 HOURS AND BE
READY TO TILE THE
FOLLOWING DAY.

WATERPROOF INTERNAL WET AREA SYSTEM

MULTIPANEL has gained accreditation from the Victorian Building Authority for an Internal Waterproofing System. In conjunction with our shower base, 12mm MULTIPANEL is used as a waterproof wall lining in the shower area and 8mm MULTIPANEL is utilised for the waterproofing of internal wet areas meeting the performance requirements of AS3740, therefore eliminates the need for liquid membranes which minimizes trades on site, speeding up the overall build time.

For full installation details, please refer to the MULTIPANEL Internal Wet Area Waterproofing System Installation Guide.

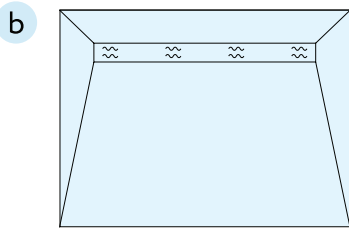
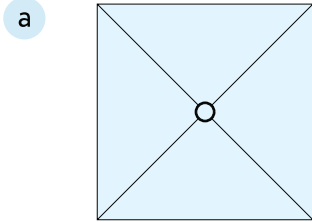
PRODUCT INFORMATION

APPLICATION	SHEET SIZE (mm)	THICKNESS	WEIGHT	WEIGHT /M2	"R" VALUE (M2-K/W)
Waterproof Underlay	2400 x 1200	8mm	5.2Kg	1.8Kg m2	0.30
Waterproof Wall Lining	2400 x 1200	12mm	7.2Kg	2.5Kg m2	0.44

Please refer to the MULTIPANEL internal wet area guide for complete instructions on how to install the waterproof internal wet area system.

WATERPROOF PRE FORMED SHOWER BASE KITS

MULTIPANEL's shower base kit includes the base with the fall already graded for installation convenience. Within the hour you are ready to tile your shower base, it's that simple.



a MULTIPANEL Shower base kits are available in four standard kit sizes:

- 900 x 900mm
- 1200 x 900mm
- 1500 x 900mm
- 1800 x 900mm

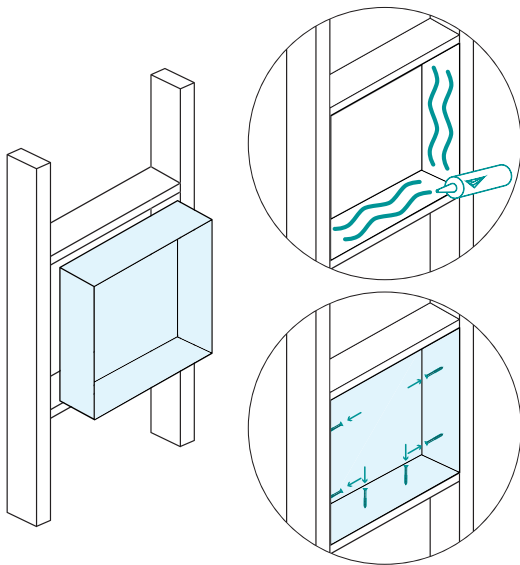
Custom sizes are also available upon request.

b MULTIPANEL Linear Shower base kits are available in three standard kit sizes:

- 1200 x 900mm
- 1500 x 900mm
- 1800 x 900mm

MULTIPANEL Shower Base Kits include upstands, flashings and adhesives.

For full installation details, please refer to the MULTIPANEL Internal Wet Area Waterproofing System Installation Guide.



WATERPROOF NICHES

MULTIPANEL is 100% waterproof, making it an ideal solution for niches. With a range of standard and custom sizes available, no size or design is too complicated.

STEP 1: Apply FMP100 to frame as per diagram

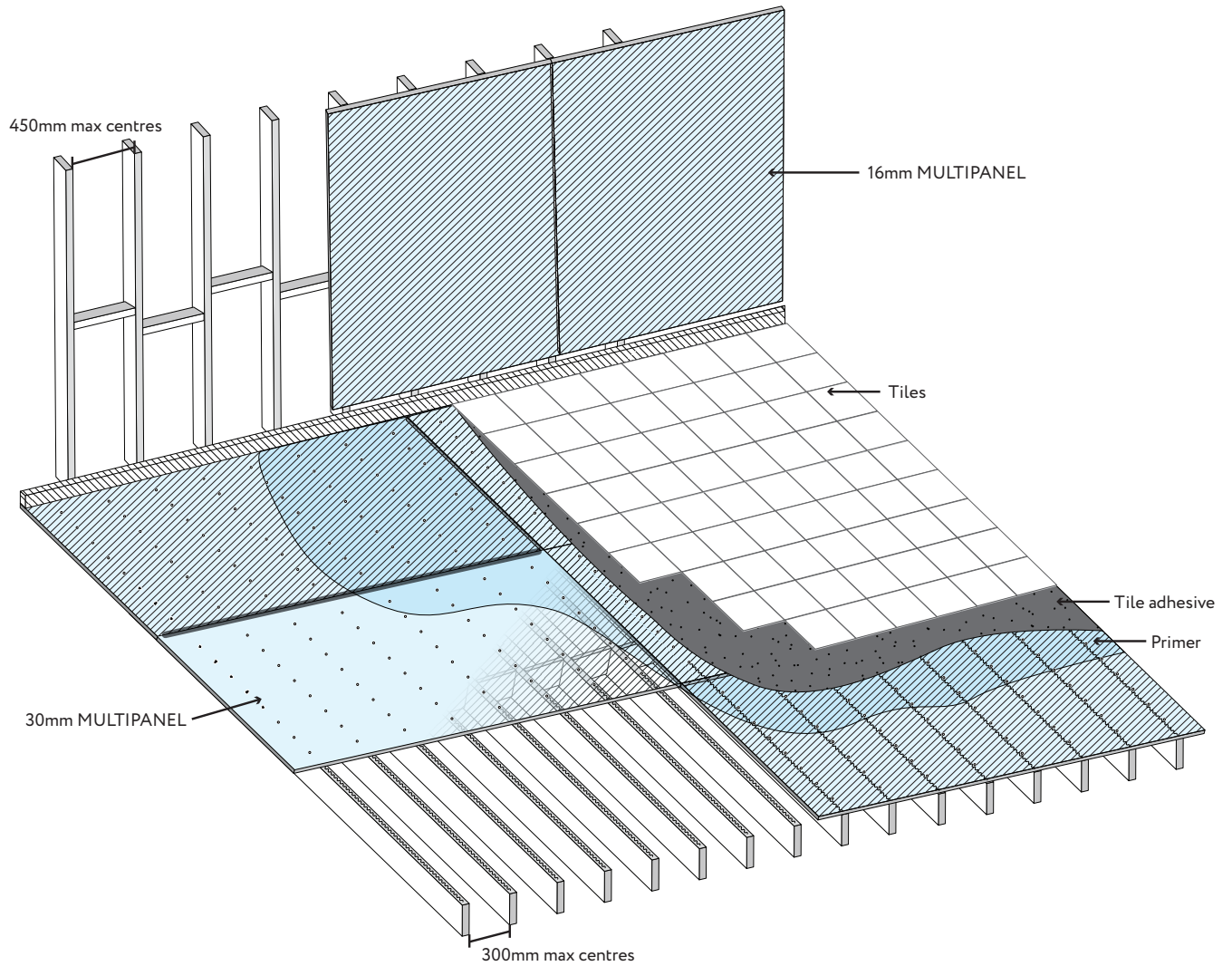
STEP 2: Insert fixing as per diagram

STEP 3: Apply FIX30 sealant over penetrations

PRODUCT INFORMATION

SIZES	
300 x 300 x90	600 x 400 x90
300 x 400 x90	900 x 300 x90
600 x 300 x90	900 x 400 x90
Custom sizes are also available upon request.	

Refer to AS3740 and all relevant waterproofing codes to ensure you meet the requirements.



WATERPROOF BALCONY SYSTEM

MULTIPANEL is 100% waterproof, making it an ideal solution for waterproofing external residential balconies. With all edges of the sheets tongue and grooved and each sheet weighing only 18Kg, it makes installation of the system very economical.

For installation and technical specifications, refer to the MULTIPANEL Balcony Substrate Waterproofing System Installation Guide.

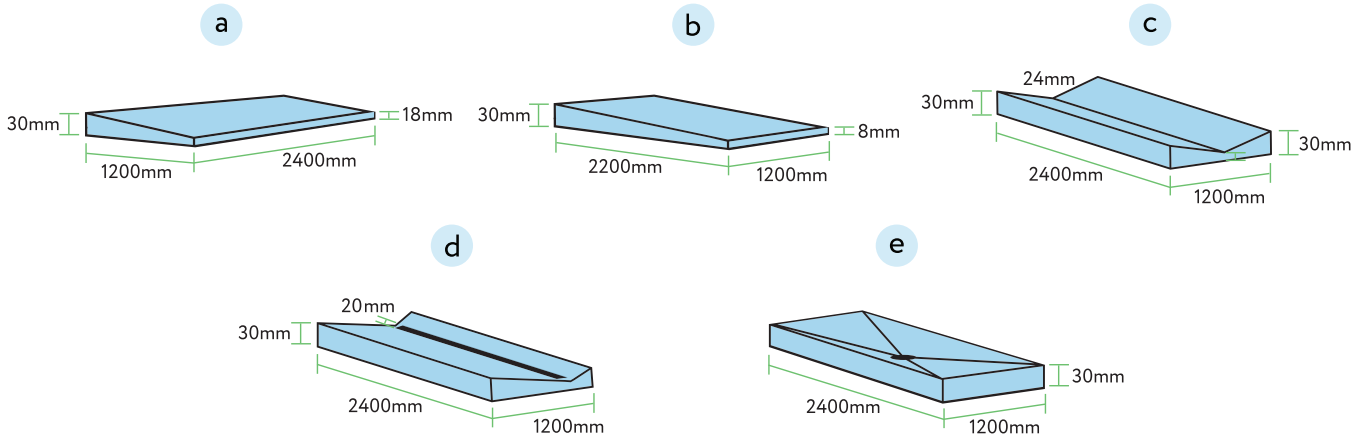
PRODUCT INFORMATION

APPLICATION	SHEET SIZE (mm)	THICKNESS	WEIGHT	WEIGHT /M2	"R" VALUE (M2-K/W)
30mm Direct to 300mm centres	2400 x 1200	30mm	18Kg	6.25Kg m2	1.11
16mm To be installed on top of a solid substrate (as per our balcony installation guide)	2400 x 1200	16mm	9.2Kg	3.19Kg m2	0.59

All edges of sheets are tongue and grooved for installation convenience and minimising waste. Please refer to the MULTIPANEL Balcony Installation guide for complete instructions on how to install the waterproof balcony substrate system.

Waterproofing accounts for approximately 1.8% of construction costs, yet industry groups and

GRADED PANELS



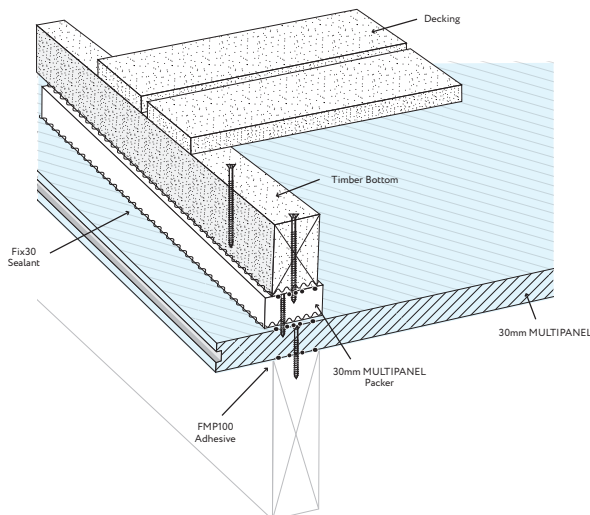
MULTIPANEL is 100% waterproof, making it an ideal screed replacement for external balconies. Utilising a combination of Long and Short Fall graded panels can help you achieve the fall to waste outlets required.

A 10m² balcony would have approx 1000kg of added weight. Whereas completing the same area with our lightweight alternative would only equate to 150kg of added weight, thats around 650% lighter.

For installation and technical specifications, refer to the MULTIPANEL Graded Panel System Installation Guide.

PRODUCT INFORMATION

PANEL TYPE	SHEET SIZE (mm)	THICKNESS	WEIGHT	WEIGHT /M2
Type A	2400 x 1200	30mm - 18mm	14.4Kg	3.82Kg m2
Type B	2200 x 1200	30mm - 8mm	12Kg	3.40Kg m2
Type C	2400 x 1200	30mm - 24mm	16.2Kg	3.82Kg m2
Type D	2400 x 1200	30mm - 20mm	13.5Kg	3.82Kg m2
Type E	2400 x 1200	30mm - 18mm	12Kg	3.82Kg m2

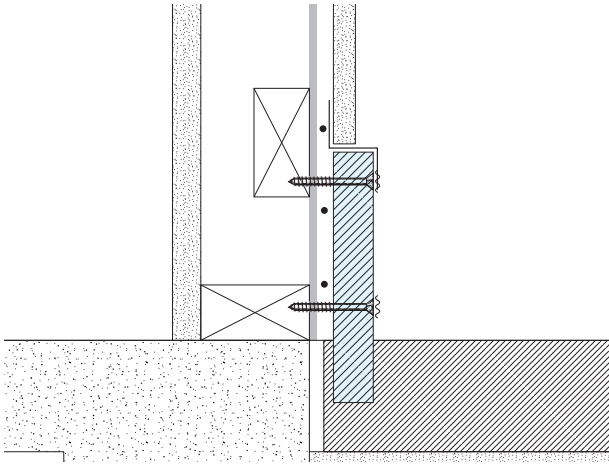


TIMBER DECK/ PAVER PODS

(ALTERNATE FINISHES ONTO MULTIPANEL)

MULTIPANEL can be used as a substrate for Decking and Paver Pods being that MULTIPANEL is 100% waterproof throughout the core, it is an ideal solution to ensure the system integrity.

For installation and technical specifications, refer to the third party pod manufacturer and the MULTIPANEL Timber Deck Technical Supplement.



WATERPROOF PLINTH BOARD

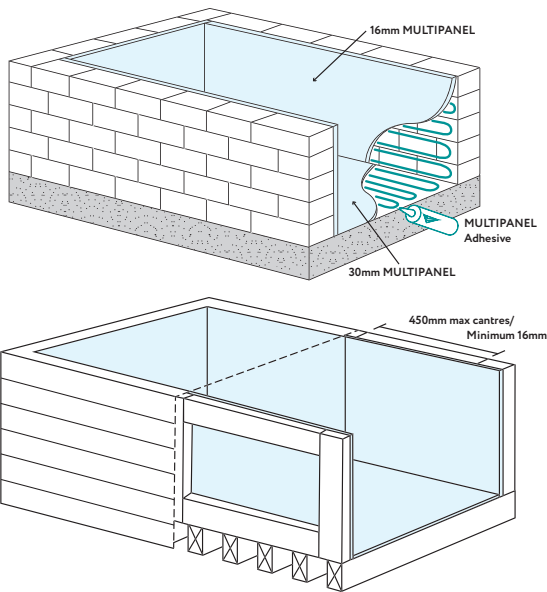
MULTIPANEL has developed a simple, cost effective waterproof solution for Plinth Boards that can be buried in dirt.

MULTIPANEL manufactures a revolutionary 100% waterproof plinth board, ideal for burying into the ground as a moisture barrier between the ground and the lightweight cladding. The plinth boards are completely impermeative to moisture and will not rot, deteriorate or breakdown over time. 30mm MULTIPANEL can be installed direct to 450mm studs or alternatively it can be directly fixed to an existing solid substrate.

PRODUCT INFORMATION

PLINTH SIZE	THICKNESS	WEIGHT
2400 x 1200 x 295	30mm	3Kg
2400 x 1200 x 200	30mm	3Kg
2400 x 1200 x 170	30mm	3Kg

All edges of sheets are tongue and grooved for installation convenience and minimising waste. Please refer to the MULTIPANEL Plinth Technical Supplement guide for complete instructions on how to install the waterproof plinth board.



WATERPROOF PLANTER BOXES

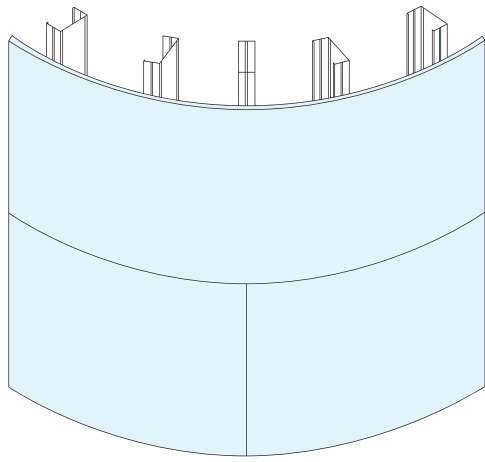
MULTIPANEL manufactures a revolutionary 100% waterproof panel, ideal for lining planter boxes making it a simple, lightweight, cost effective and 100% waterproof solution.

The Panel is waterproof throughout, therefore any soil/rock movement will not affect the waterproof integrity of the planter box.

PRODUCT INFORMATION

APPLICATION	SHEET SIZE (mm)	THICKNESS	WEIGHT	WEIGHT /M2	"R" VALUE (M2-K/W)
30mm Direct to 300mm centres	2400 x 1200	30mm	18Kg	6.25Kg m2	1.11
16mm To be installed on top of a solid substrate (as per our balcony installation guide)	2400 x 1200	16mm	9.2Kg	3.19Kg m2	0.59

Please refer to the MULTIPANEL Planter Box guide for complete instructions on how to install the waterproof planter boxes.



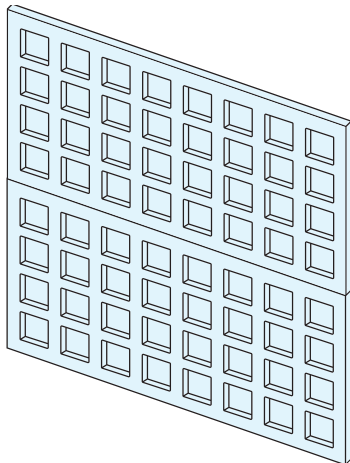
WATERPROOF CURVED LINING

MULTIPANEL manufactures a revolutionary 100% waterproof panel, ideal for lining curved walls, curved staircases, facades and many more tight radiuses where traditional materials don't work.

PRODUCT INFORMATION

SHEET SIZE (mm)	THICKNESS	MAX CENTRES	APPLICATION	APPROX. RADIUS
2400 x 1200mm	8mm	150mm	Curved Lining	400mm
2400 x 1200mm	12mm	200mm	Curved Lining	1000mm
2400 x 1200mm	16mm	300mm	Curved Lining	1500mm
2400 x 1200mm	30mm	400mm	Curved Lining	2500mm

Please ensure the frame is straight and solid as MULTIPANEL will follow the frame. Note: Frame spacings will depend on the panel thickness and the radius you are trying to achieve.



WATERPROOF DECORATIVE PANEL

MULTIPANEL manufactures a revolutionary 100% waterproof panel, ideal for decorative facade application and suitable for CNC machining.

PRODUCT INFORMATION

LENGTH SIZE (mm)	THICKNESS	APPLICATION	WEIGHT m2
2400 x 1200mm	16mm	Waterproof Facade	5.2Kg
2400 x 1200mm	30mm	Waterproof Facade	7.2Kg

All edges of sheets are tongue and grooved for installation convenience and minimising waste.

MULTIPANEL



MULTIPANEL Pty Ltd
Level One 110 Mt Eliza Way
Mt Eliza Victoria Australia 3930

Phone +61 3 9787 2544
Fax +61 3 9787 9582
Email info@multipanel.com.au
www.multipanel.com.au